

**BRUSHLESS ALTERNATOR**  
**TYPE A203/20/ – 28V 330A, A203/21/ – 28V 400A**

**FEATURES:**

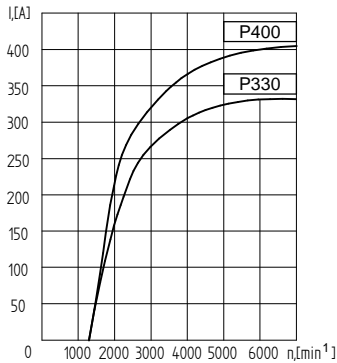
- High efficiency of 71-85% at all speed ranges.
- Comparative lower weight as compared to other similar class units.
- Long-life, maintenance-free unit with heavy-duty front 6307 and rear 6206, double sealed ball bearing.
- Effective at all speed ranges. Air-cooling system provides low heat density of stator and rectifier system even at high temperature conditions.
- Negative ground, positive ground or insulated system at customer request.

**APPLICATIONS:**

- TRANSIT AND CITY BUSES
- FIRETRUCKS, SPECIAL VEHICLES
- MOTORCOACH, MOTORHOMES
- OFF-HIGHWAY EQUIPMENT

**REPLACEMENTS:**

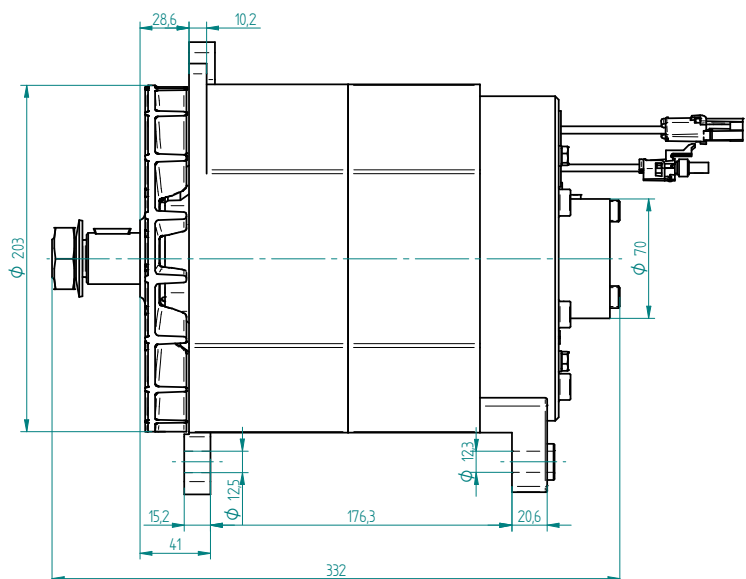
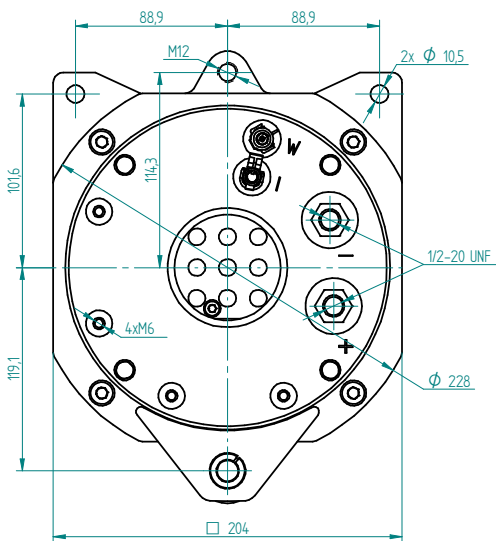
C706 28V 300A C.E. Niehoff & Co



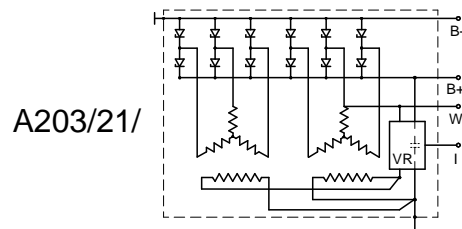
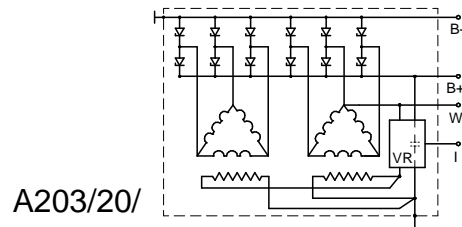
**PERFORMANCE CURVE:**

Note: All curves are measured at 25°C ambient temperature and stabilized alternator temperature.

**OUTLINE DRAWINGS**



**CONNECTION DIAGRAM**



DYNAMO INC, PO BOX 273

1 Sofiisko shosse Str., 8800 Sliven BULGARIA tel. +359 44 666 207; 666 208 ;  
 fax. +359 44 622 291;; e-mail: [dynamo@dynamo-bg.com](mailto:dynamo@dynamo-bg.com); web site: [www.dynamo-bg.com](http://www.dynamo-bg.com)