

BRUSHLESS ALTERNATOR
TYPE A203/20/ – 28V 330A, A203/21/ – 28V 400A

FEATURES:

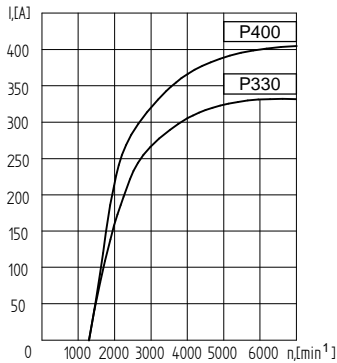
- High efficiency of 71-85% at all speed ranges.
- Comparative lower weight as compared to other similar class units.
- Long-life, maintenance-free unit with heavy-duty front 6307 and rear 6206, double sealed ball bearing.
- Effective at all speed ranges. Air-cooling system provides low heat density of stator and rectifier system even at high temperature conditions.
- Negative ground, positive ground or insulated system at customer request.

APPLICATIONS:

- TRANSIT AND CITY BUSES
- FIRETRUCKS, SPECIAL VEHICLES
- MOTORCOACH, MOTORHOMES
- OFF-HIGHWAY EQUIPMENT

REPLACEMENTS:

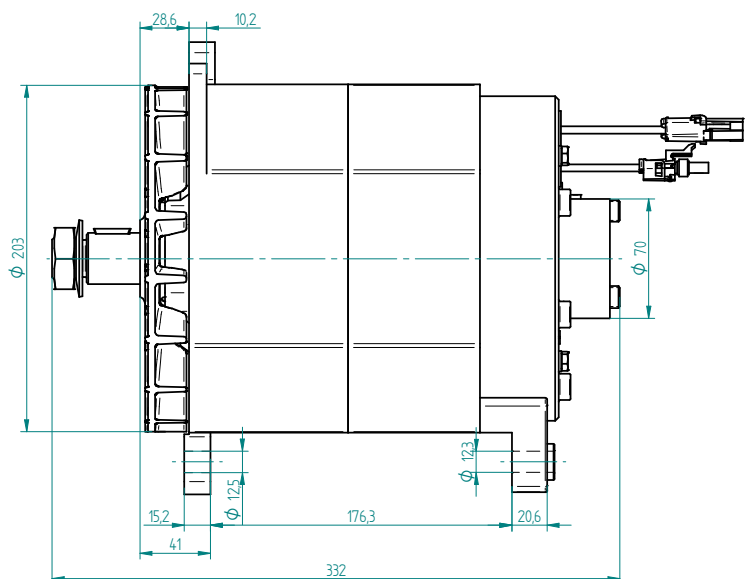
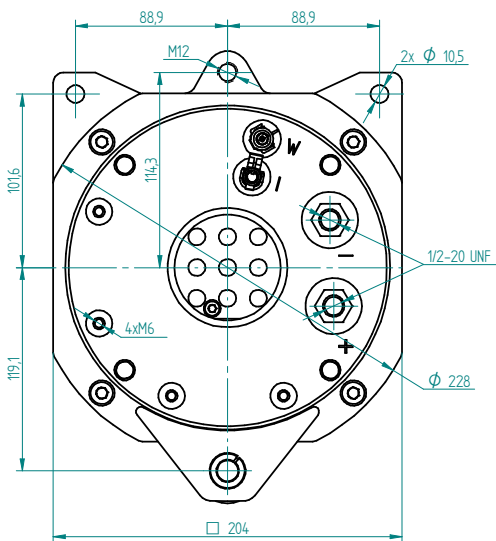
C706 28V 300A C.E. Niehoff & Co



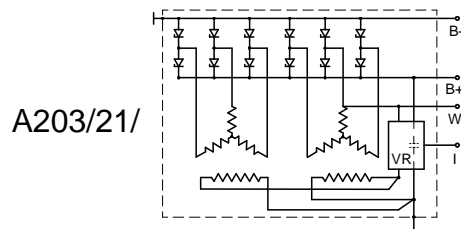
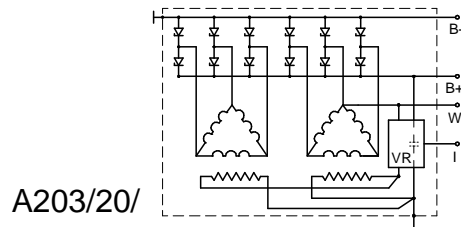
PERFORMANCE CURVE:

Note: All curves are measured at 25°C ambient temperature and stabilized alternator temperature.

OUTLINE DRAWINGS



CONNECTION DIAGRAM



DYNAMO INC, PO BOX 273

1 Sofiisko shosse Str., 8800 Sliven BULGARIA tel. +359 44 666 207; 666 208 ;
 fax. +359 44 622 291;; e-mail: dynamo@dynamo-bg.com; web site: www.dynamo-bg.com