

Bulgaria, 8800 Sliven, 1, Sofiisko shosse str., PO Box: 273; phone: +359 44 666 207; phone/fax: + 359 44 62 22 91;  
 web site: [www.dynamo-bg.com](http://www.dynamo-bg.com); email: [dynamo@dynamo-bg.com](mailto:dynamo@dynamo-bg.com);

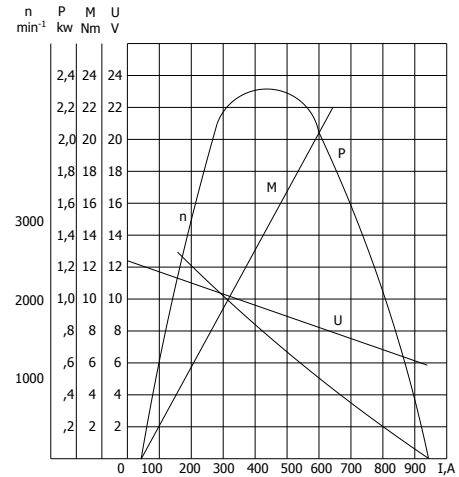
## STARTER TYPE M78/09/-1,7R

**APPLICATION: GAZ with ZMZ 402.10, 4021.10, 4026.10**

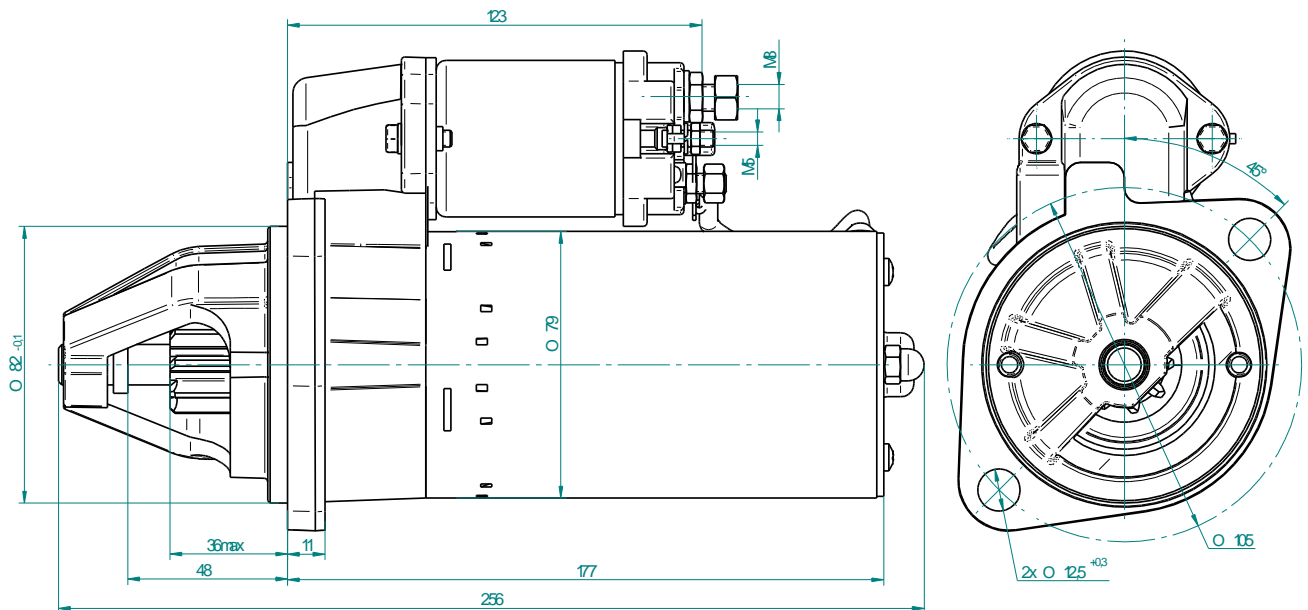
### TECHNICAL DATA

Voltage	V	12
Battery	A.h	55
Power	kW	2
Rotation	-	CW
Weight	kg	4,41
Solenoid consumption:		
- Pull coil,	A	23
- Holding coil	A	12,5
Pinion		
- Number of cogs	Z	9
- Module	m	2,5

### PERFORMANCE



### OVERALL DIMENSIONS



**Produces:** Automotive Alternators and Starters; DC electric Motors with permanent magnets and electric magnet excitation; Complete main drives of numerically controlled machine tools, for driving of machines, equipments, manipulators, automation and mechanization systems of technological processes; Portable boring and welding machine.