

Bulgaria, 8800 Sliven, 1, Sofiisko shosse str., PO Box: 273; phone: +359 44 666 207; phone/fax: + 359 44 62 22 91;
 web site: www.dynamo-bg.com; email: dynamo@dynamo-bg.com;

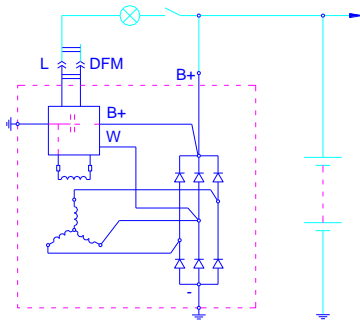
ALTERNATOR TYPE A125/1003/-14V-80A

APPLICATION: VAZ-11183-84 "Lada Kalina" and the modifications.

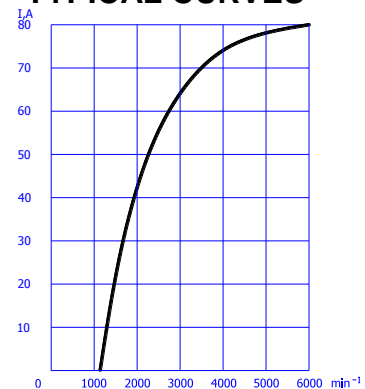
TECHNICAL DATA

Rated Voltage	V	14
Rated Current	A	80
Stator diameter	mm	125
Rotor diameter	mm	95
Fan	Internal	
Regulator	Internal	
Weight	kg	4,9

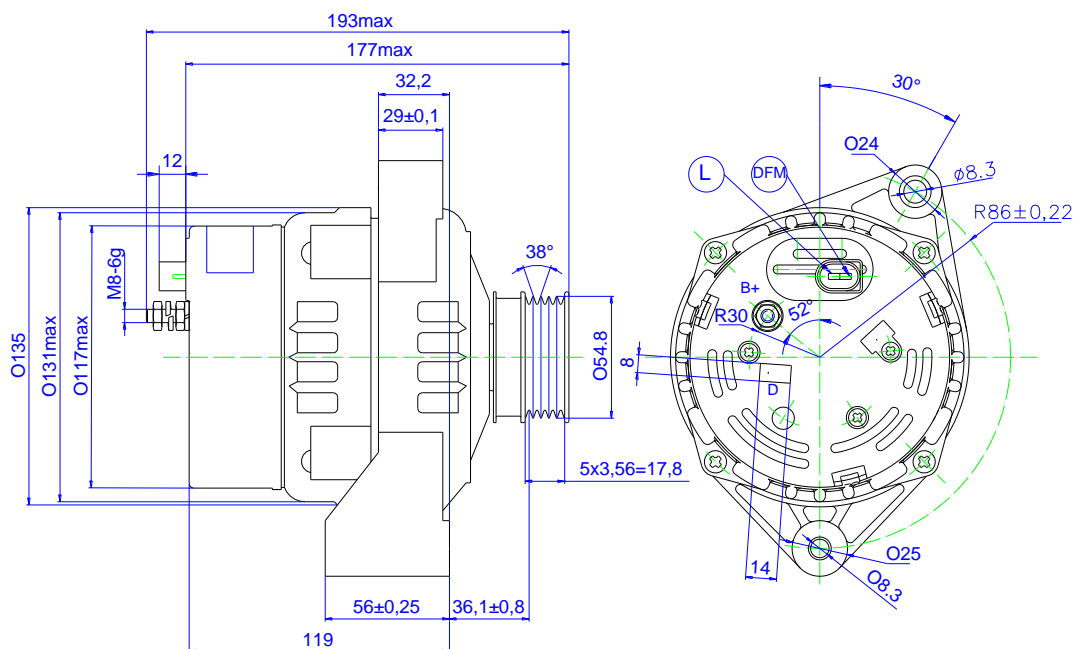
WIRING DIAGRAM



TYPICAL CURVES



OVERALL DIMENSIONS



Produces: Automotive Alternators and Starters; DC electric Motors with permanent magnets and electric magnet excitation; Complete main drives of numerically controlled machine tools, for driving of machines, equipments, manipulators, automation and mechanization systems of technological processes; Portable boring and welding machine.