

DC SERVOMOTORS TYPE DMT

The servomotors utilise permanent magnet excitation. High overload capacity in continuous and intermediate duty and during the transient process is allowed by magnet system. The motors comply with IEC 34-5 and IEC 34-7 recommendations.

Feedback packages: built-in tachogenerators on the motor shaft - voltage constant; built-in thermal protection sensor.

Options available:

C - built-in fail-safe gapless electromagnetic brake with additional length 40-60mm.

P - built-in RB-2 (number of poles two) or RB-10 (number of poles ten) type brushless resolver and multiplier 1:2.5 or 1:5 (for types MX and MB).

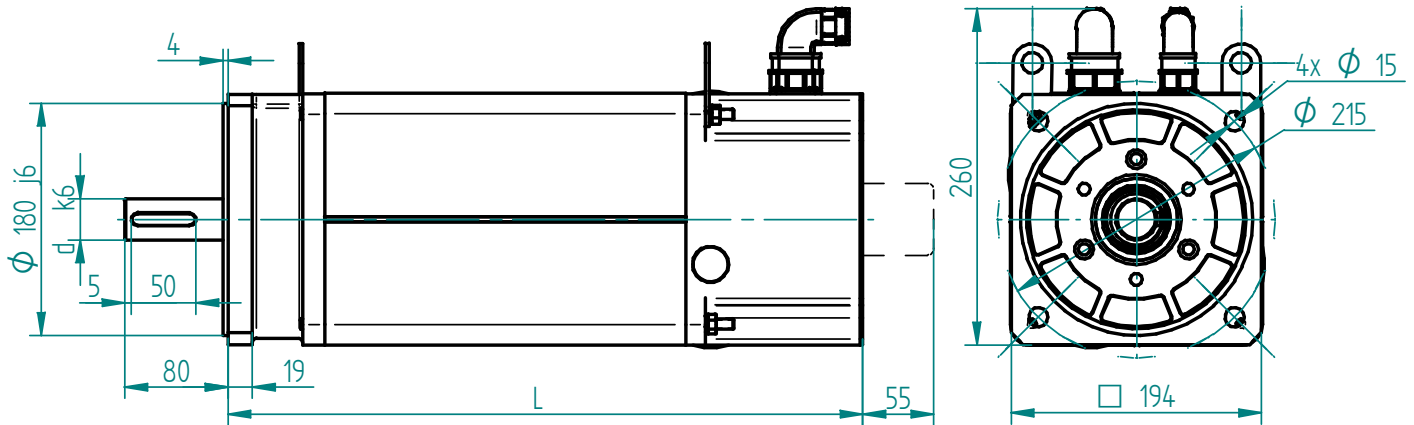
K - pulsecoder with 2000 or 2500 impulses/rev.

TECHNICAL DATA

Motor type		D 2MTA	D 3MTA	D 4MTA	D 4MTB	D 5MT
Mg _o	Nm	13	21	23	30	47
M _{max}	Nm	65	78	82	116	172
n _{max}	min ⁻¹	1500	1500	1600	1600	1600
J	kg.m ²	0.025	0.030	0,032	0,038	0,0426
U _{max}	V	100	140	170	190	190
Ig _o	A	26	26	22	26	40
Weight	kg	34	43	52	64	78
L	mm	385	400	415	440	495
d	mm	32	32	32	32	38

Additional options are available on special request.

OUTLINE DRAWINGS



CHARACTERISTICS - TORQUE – SPEED (1) - HEAT RESISTANCE (2)

D 2MTA

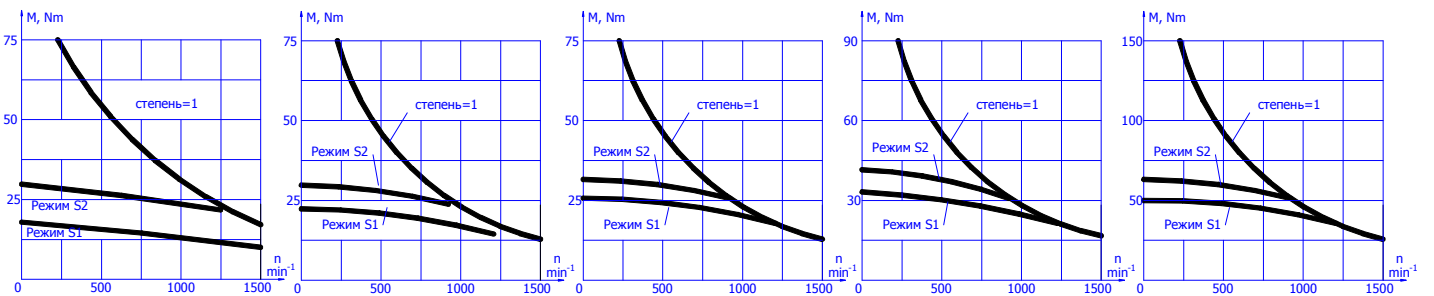
D 3MTA

D 4MTA

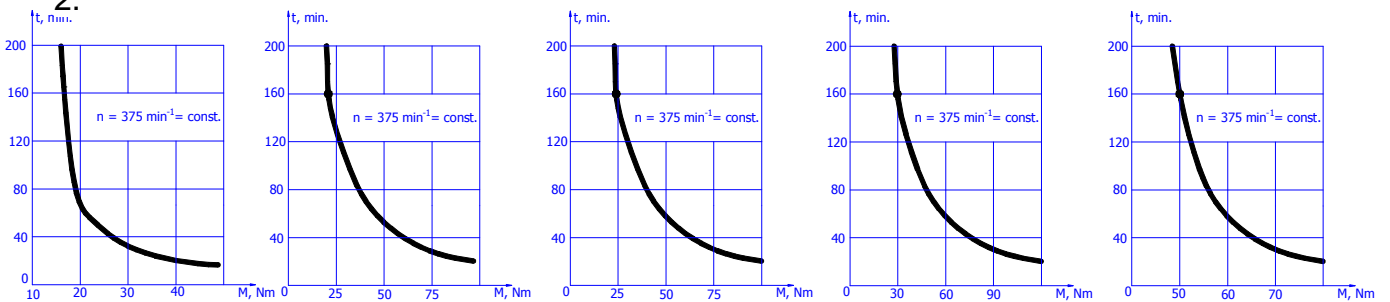
D 4MTB

D 5MT

1.



2.



Produces: Automotive Alternators and Starters; DC electric Motors with permanent magnets and electric magnet excitation; Complete main drives of numerically controlled machine tools, for driving of machines, equipments, manipulators, automation and mechanization systems of technological processes; Portable boring and welding machine.