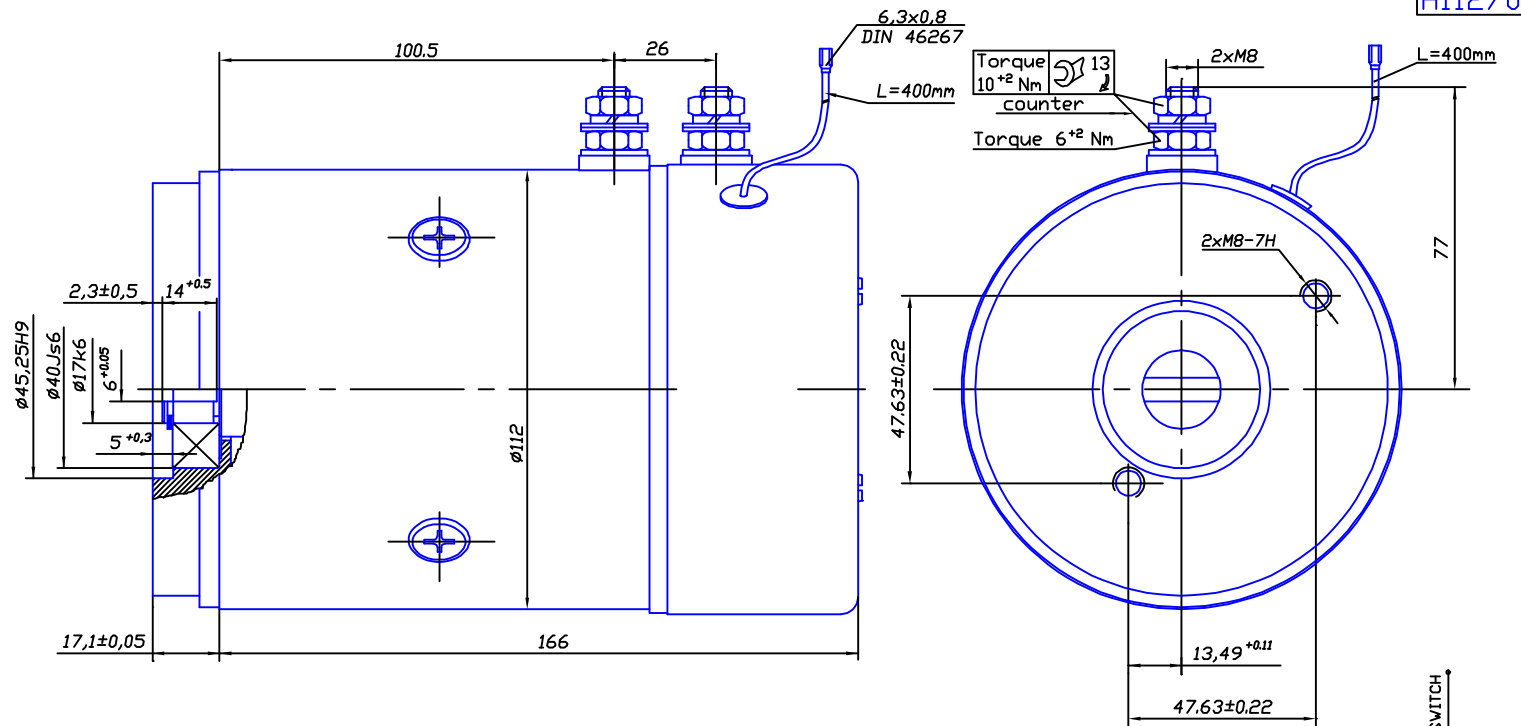
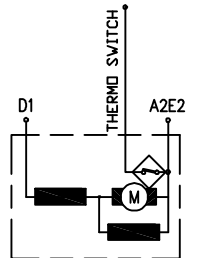


H112/00

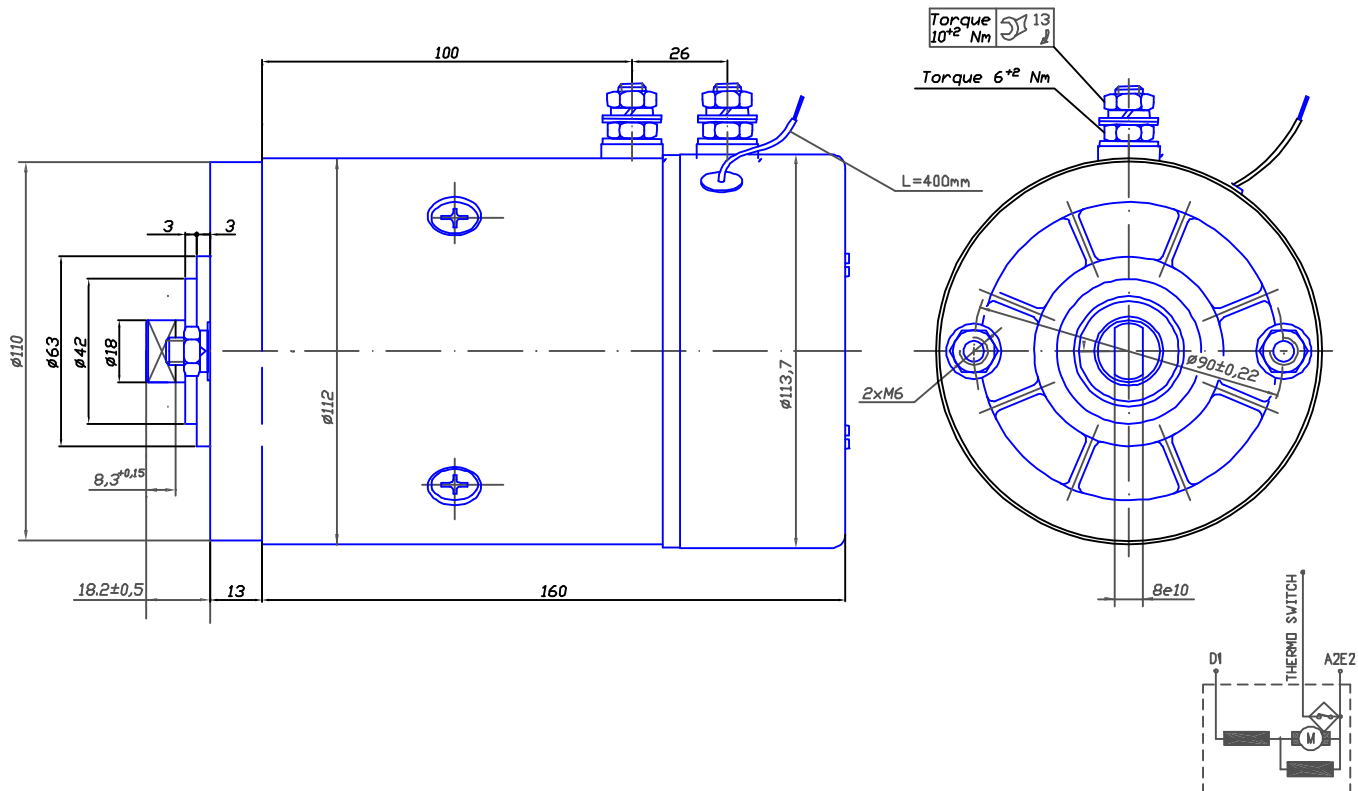


NOTE: The front side bearing fixing is ensured after the mounting of the pump. The other bearing is free.

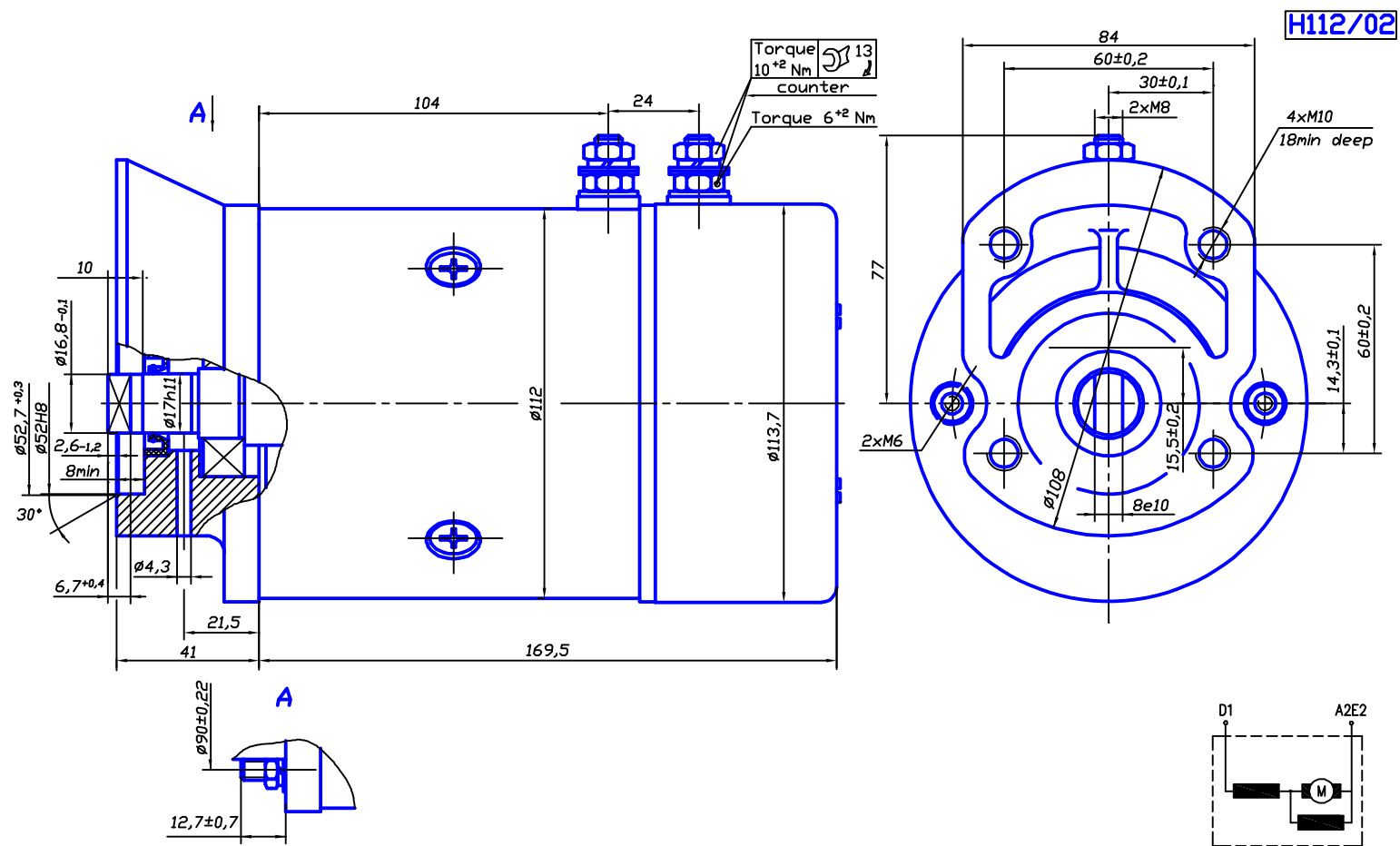


CODE	V	kW	RPM	Rate	Rot	IP	Curve
DH112 1,5/27 1200	12	1,5	2700	S2-4min	CWDE	IP44	fig.1
DH112 2,0/23 1200	12	2,0	2300	S2-1,5min	CWDE	IP44	fig.1
DH112 1,5/27 2400	24	1,5	2700	S2-5min	CWDE	IP44	fig.2
DH112 2,0/23 2400	24	2,0	2300	S2-2min	CWDE	IP44	fig.2

H112/01



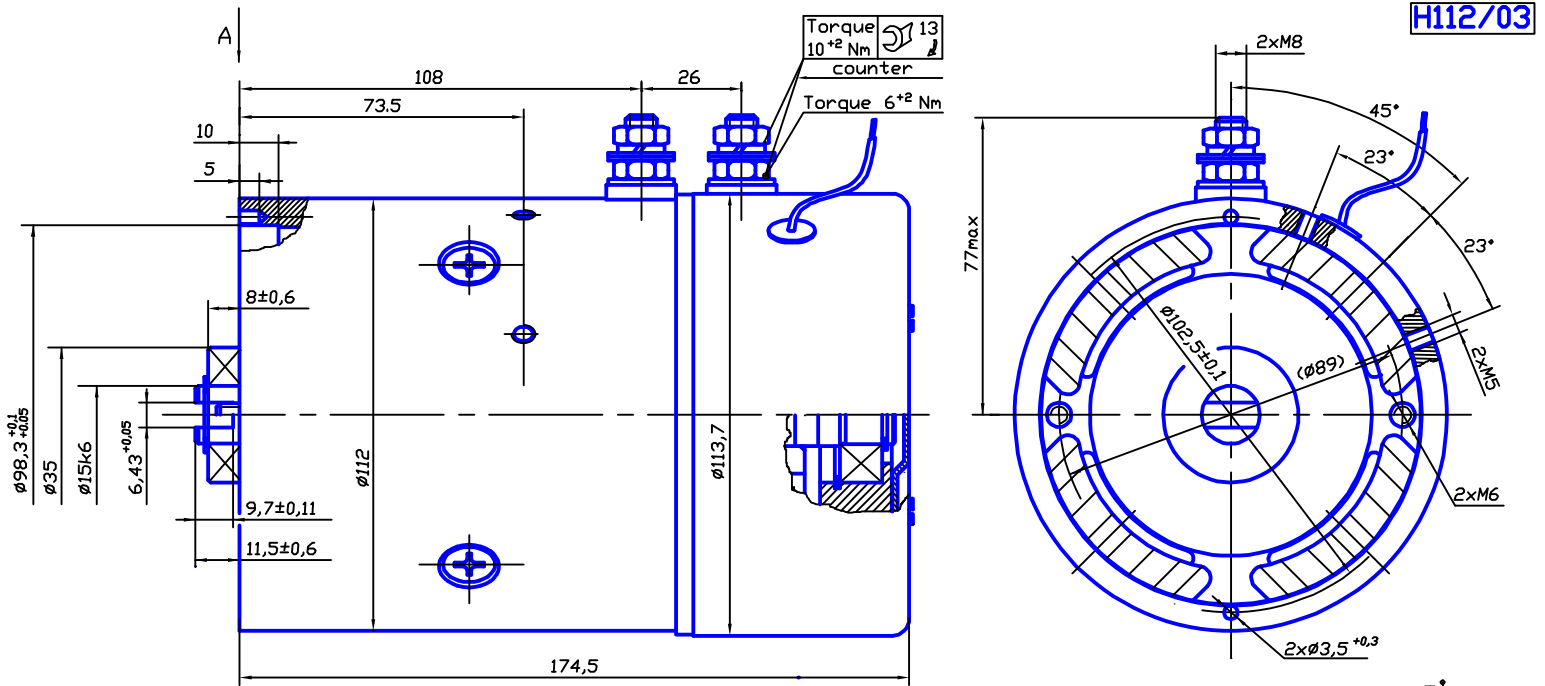
CODE	V	kW	RPM	Rate	Rot	IP	Curve
DH112 1.5/27 1201	12	1,5	2700	S2-4min	CWDE	IP44	fig.1
DH112 1.6/30 1201	12	1,6	3000	S2-4min	CWDE	IP44	fig.1
DH112 2.0/23 1201	12	2,0	2300	S2-1,5min	CWDE	IP44	fig.1
DH112 1.5/27 2401	24	1,5	2700	S2-5min	CWDE	IP44	fig.2
DH112 2,0/23 2401	24	2,0	2300	S2-2min	CWDE	IP44	fig.2
DH112 2.2/24 2401	24	2,2	2400	S2-2min	CWDE	IP44	fig.3



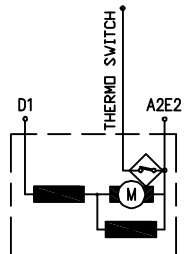
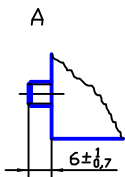
CODE	V	kW	RPM	Rate	Rot	IP	Curve
------	---	----	-----	------	-----	----	-------

DH112 1.5/25 1202	12	1,5	2500	S2-4min	CWDE	IP44	fig.1
DH112 2.0/22 1202	12	2,0	2200	S2-1,5min	CWDE	IP44	fig.1
DH112 1.5/25 2402	24	1,5	2500	S2-5min	CWDE	IP44	fig.3
DH112 2.0/22 2402	24	2,0	2200	S2-2min	CWDE	IP44	fig.3

H112/03

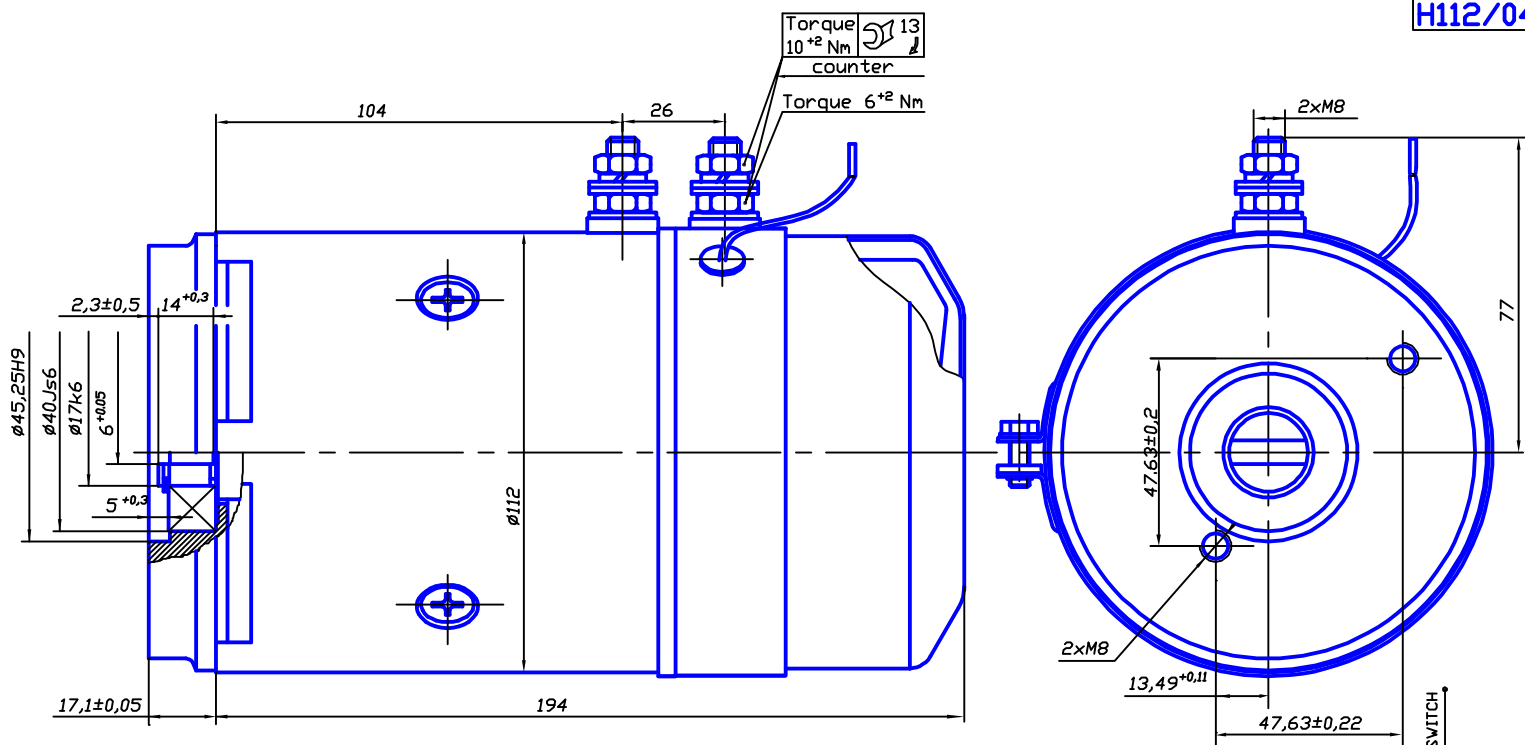


Note: The motors are with a fixed rear bearing

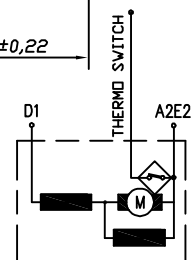


CODE	V	kW	RPM	Rate	Rot	IP	Curve
------	---	----	-----	------	-----	----	-------

DH112 1.5/27 1203	12	1,5	2700	S2-4min	CWDE	IP44	fig.1
DH112 2.0/23 1203	12	2,0	2300	S2-1,5min	CWDE	IP44	fig.1
DH112 1.5/27 2403	24	1,5	2700	S2-5min	CWDE	IP44	fig.2
DH112 2.0/23 2403	24	2,0	2300	S2-2min	CWDE	IP44	fig.2



NOTE: The front side bearing fixing is ensured after the mounting of the pump. The other bearing is free.



CODE	V	kW	RPM	Rate	Rot	IP	Curve
------	---	----	-----	------	-----	----	-------

DH112 2.0/23 1204	12	2,0	2300	S2-3min	CWDE	IP20	fig.5
DH112 2.5/19 1204	12	2,5	1900	S2-1,5min	CWDE	IP20	fig.5
DH112 2.0/23 2404	24	2,0	2300	S2-5min	CWDE	IP20	fig.6
DH112 2.5/19 2404	24	2,0	1900	S2-1,5min	CWDE	IP20	fig.6

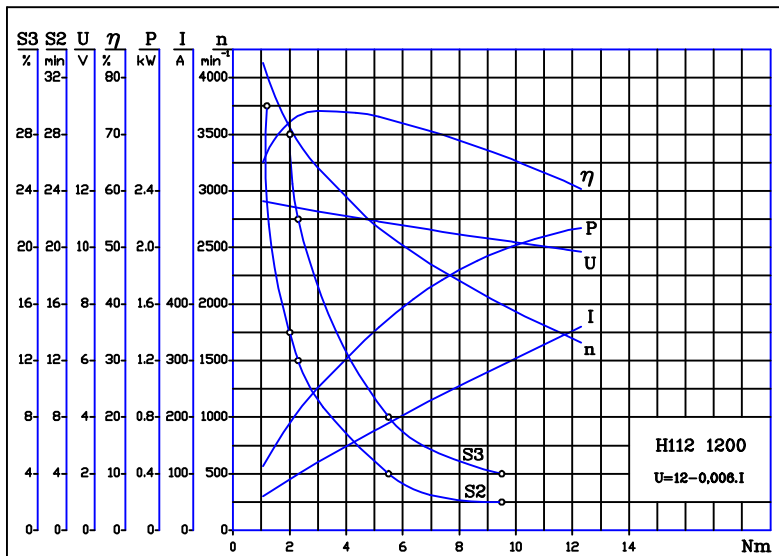


fig.1

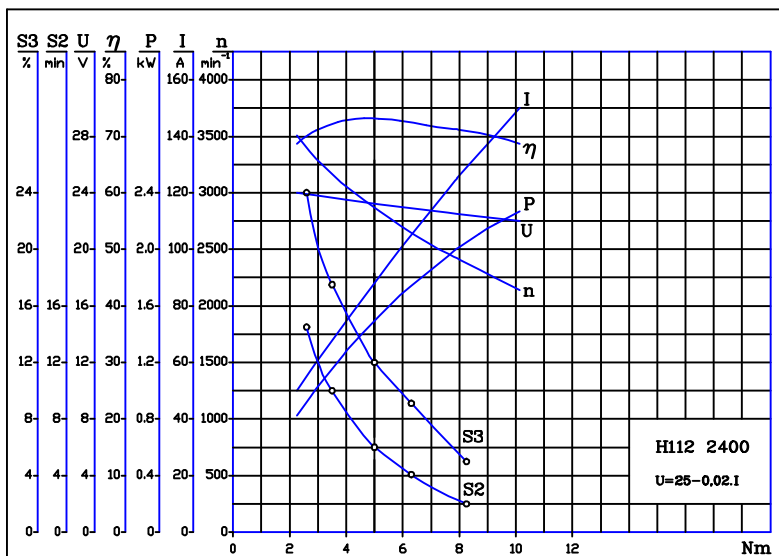


fig.2

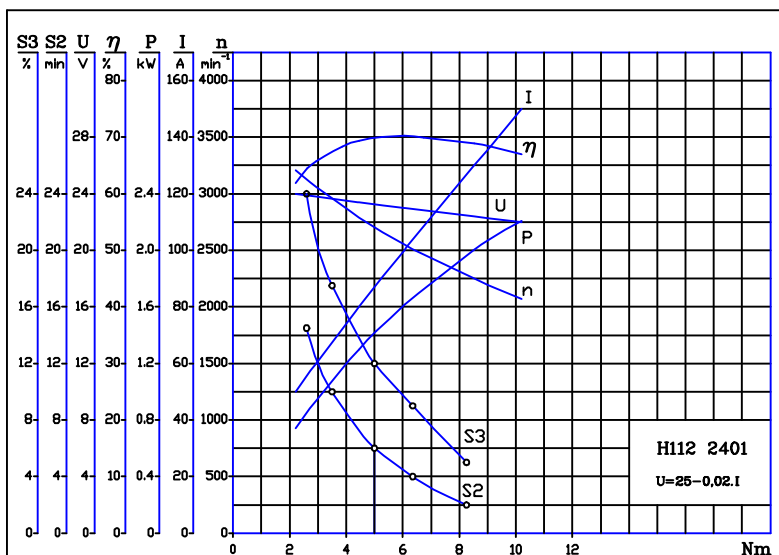


fig.3

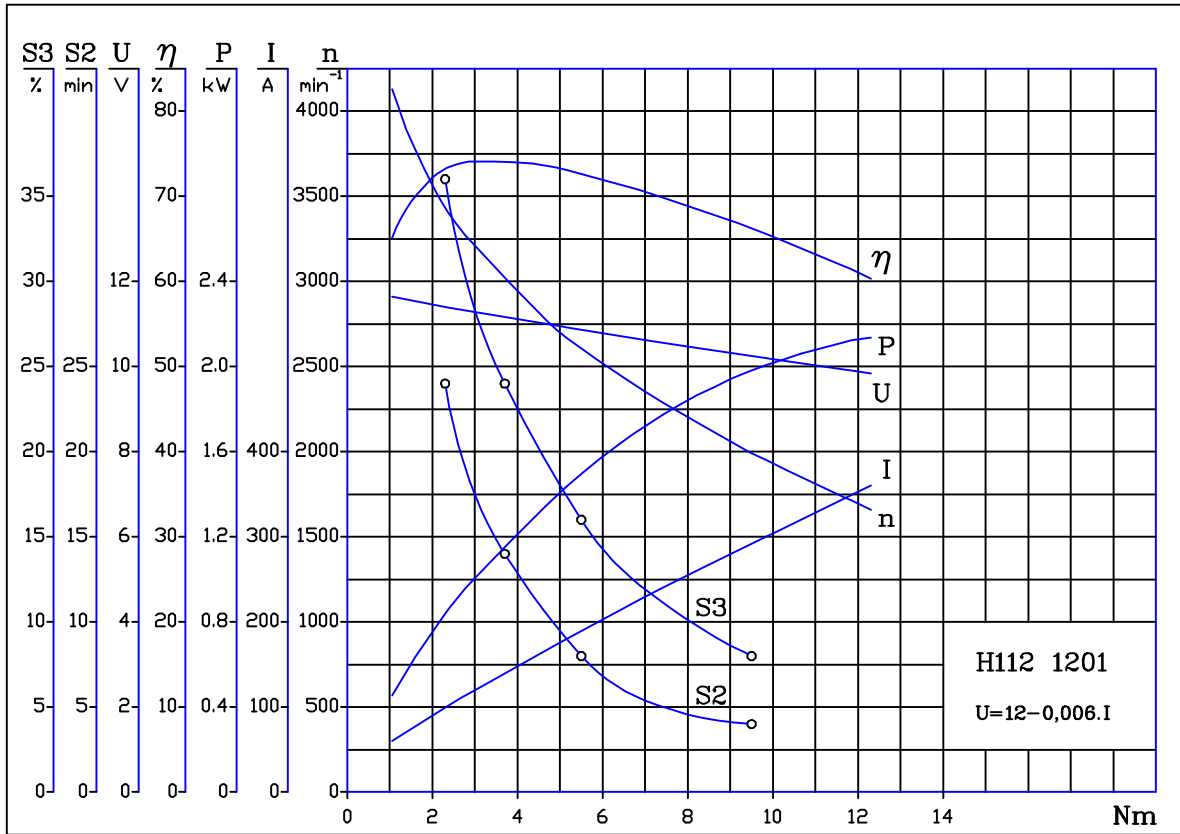


fig.5

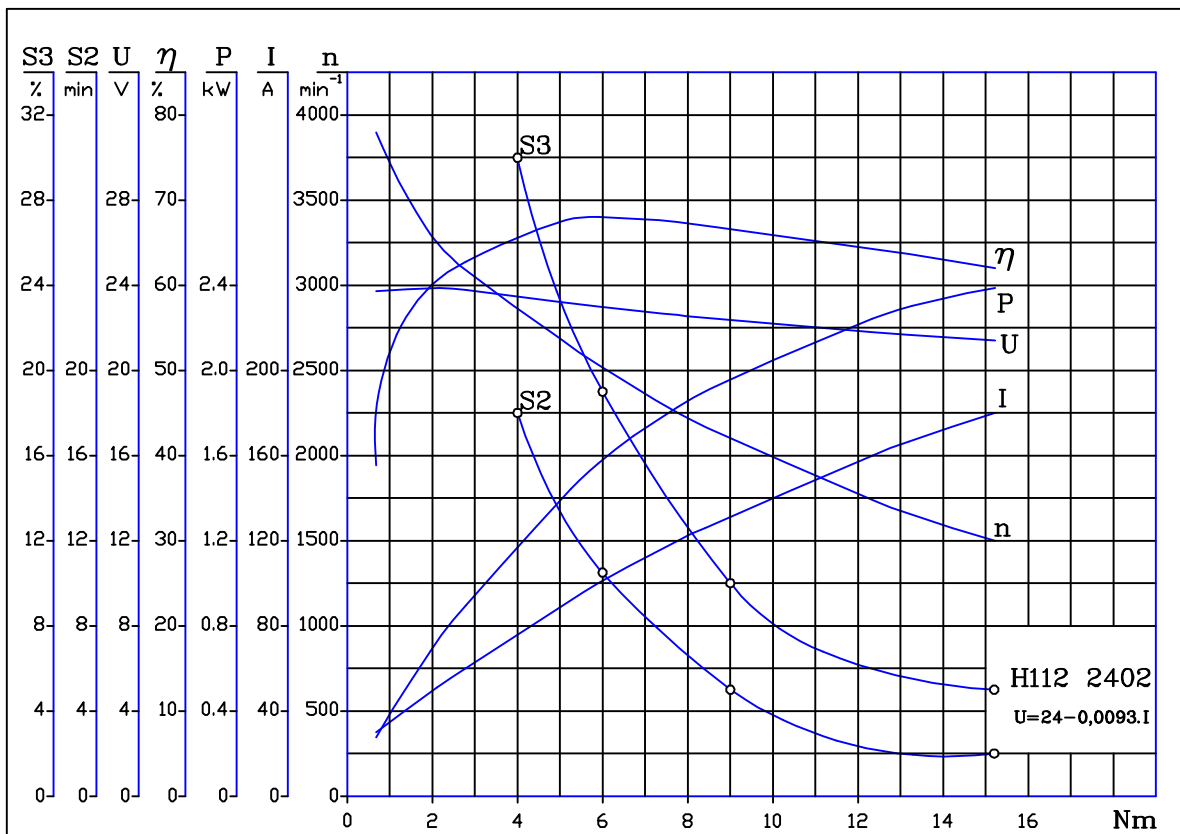


fig.6