

BRUSHLESS ALTERNATOR TYPE A205 – 28V 400A

FEATURES:

High efficiency of 71-85% at all speed ranges.

Comparative lower weight as compared to other similar class units.

Long-life, maintenance-free unit with heavy-duty front 6307 and rear 6205, double sealed ball bearing.

Effective at all speed ranges. Air-cooling system provides low heat density of stator and rectifier system even at high temperature conditions.

Negative ground, positive ground or insulated system at customer request.

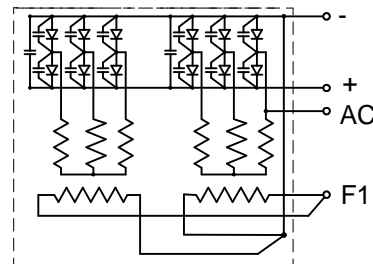
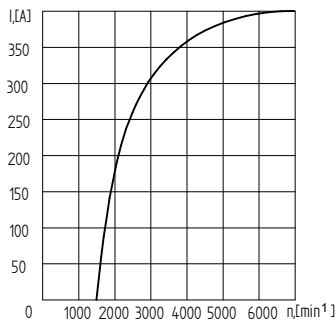
APPLICATIONS:

TRANSIT AND CITY BUSES
FIRETRUCKS, SPECIAL VEHICLES
MOTORCOACH, MOTORHOMES
OFF-HIGHWAY EQUIPMENT

REPLACEMENTS:

55SI DELCO REMY Series 24V, 275A

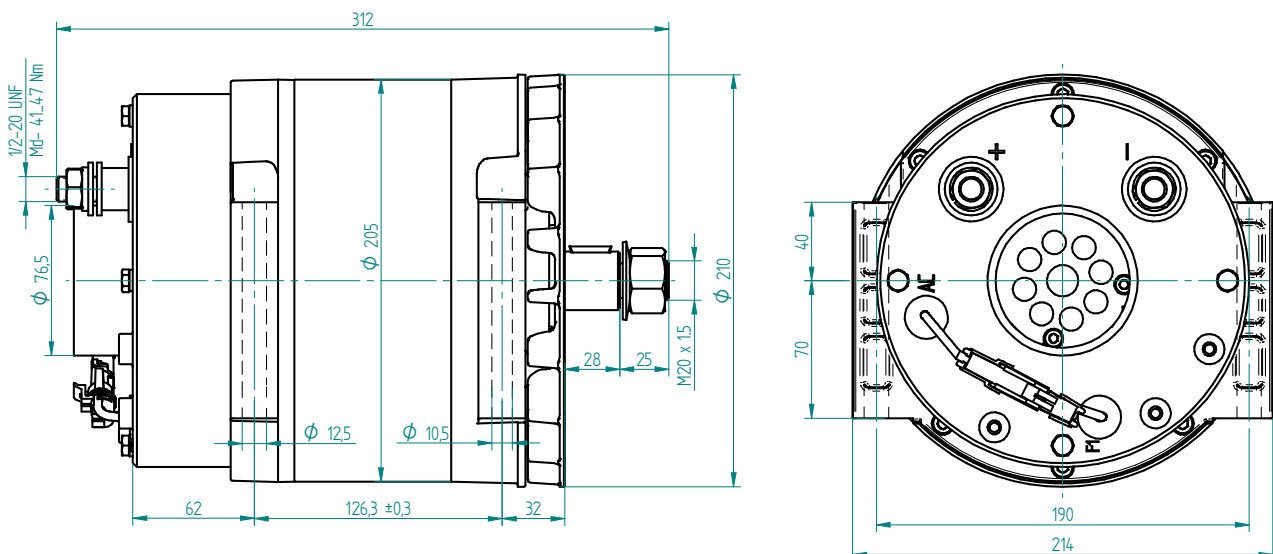
CONNECTION DIAGRAM



PERFORMANCE CURVE:

Note: All curves are measured at 25°C ambient temperature and stabilized alternator temperature.

OUTLINE DRAWINGS



DYNAMO INC, PO BOX 273

1 Sofiisko shosse Str., 8800 Sliven BULGARIA tel. +359 44 666 207; 666 208 ;
fax. +359 44 622 291;; e-mail: dynamo@dynamo-bg.com; web site: www.dynamo-bg.com